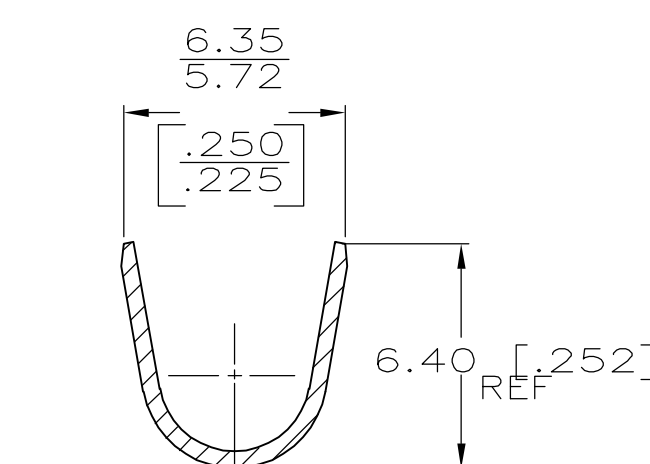
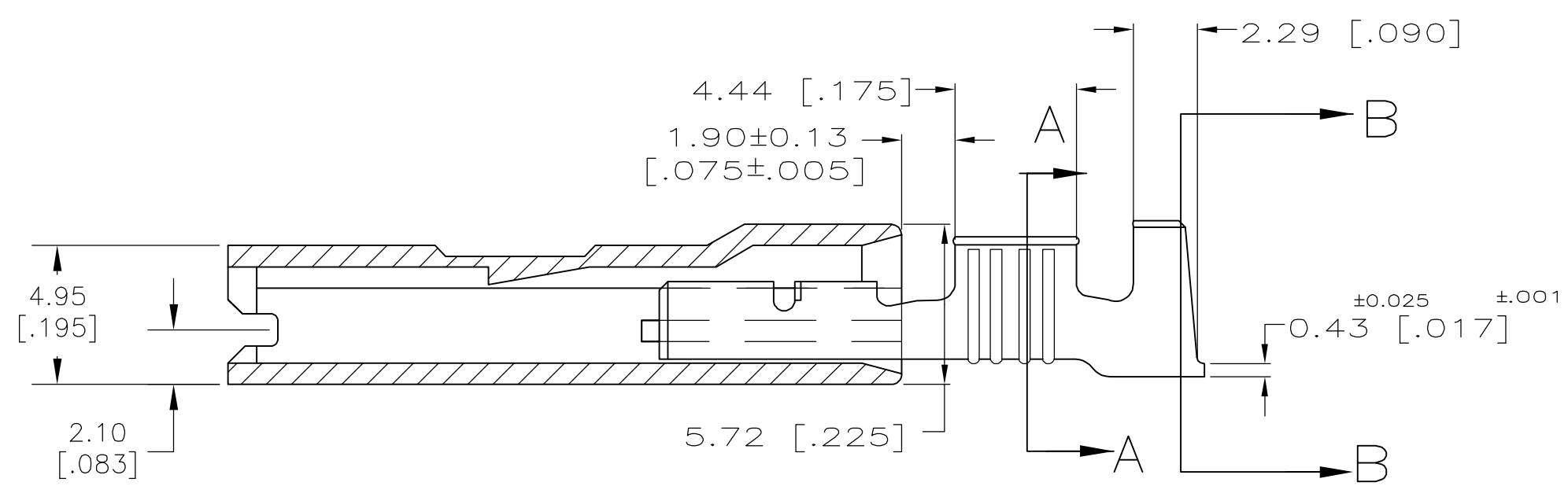
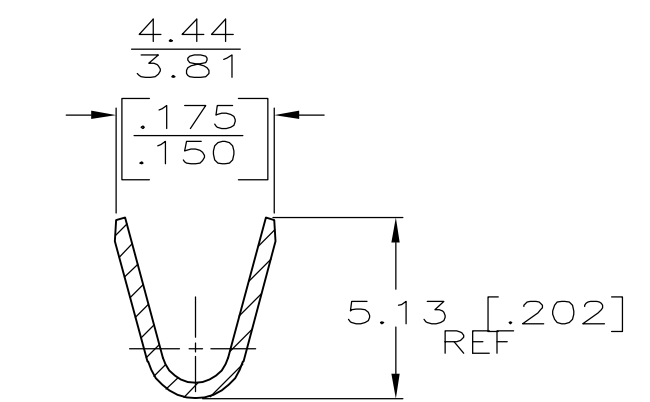
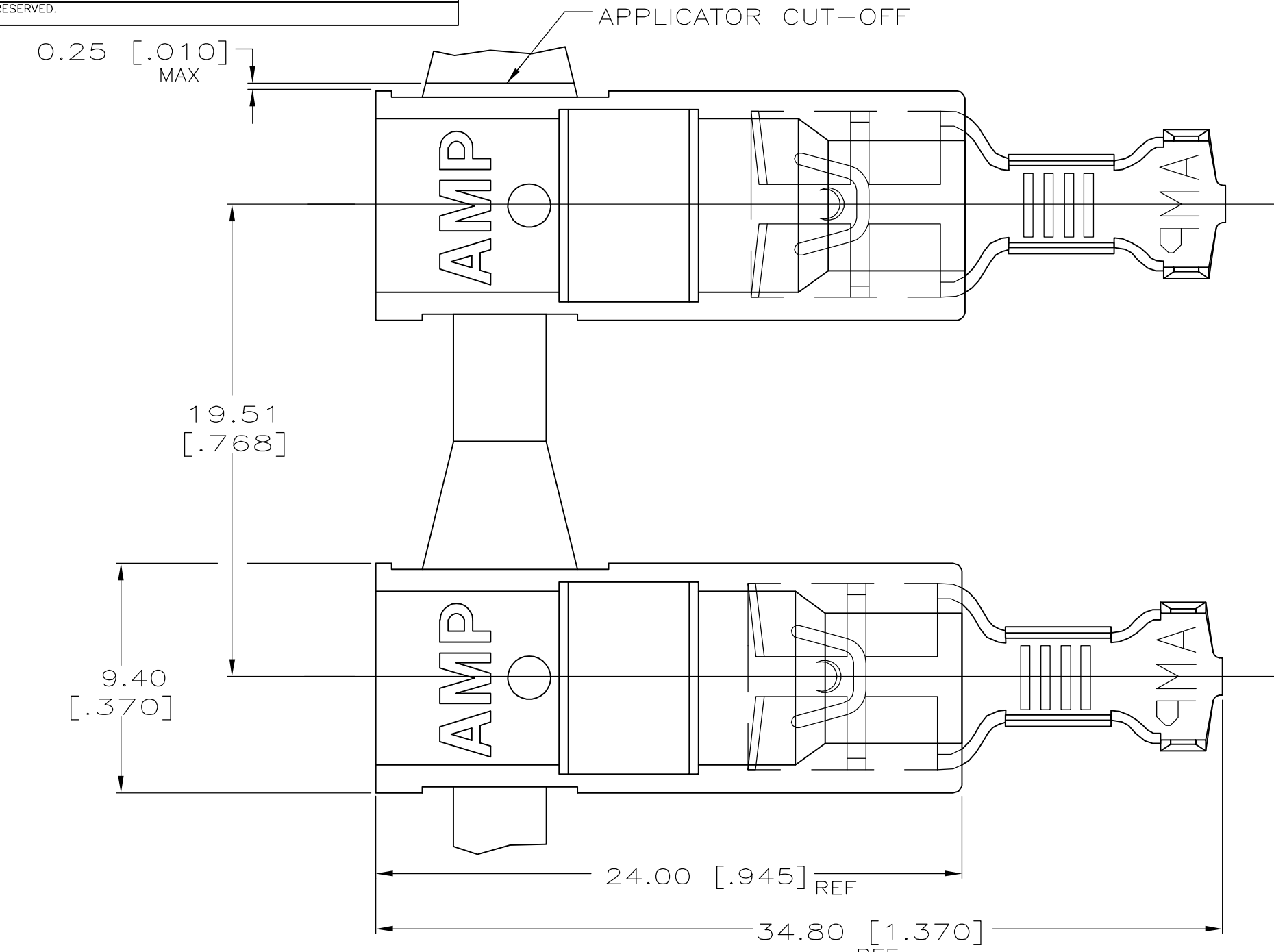


LOC	DIST	REVISIONS					
AF	50	P	LTR	DESCRIPTION	DATE	DWN	APVD
		M1		REVISED PER ECR-06-000467	23MAY06	HMR	GP



OBSOLETE	BULK	PLAIN	3.30-4.57 [.130-.180]	2.0-5.0 mm [14-10]	0.813 [.032]	-5-520974-2
	STANDARD	TIN PLATED				520974-2
	PACKAGING	PLAIN				520974-1
	TERMINAL FINISH	INSULATION RANGE	WIRE SIZE	MATING TAB THK ±0.025 [±.001]	PART NO.	

- 1 LOW-INSERTION FASTON TERMINALS, BASE P/N 63639, ARE USED IN THIS PRODUCT.
- 2 0.002032 [.000080] MIN TIN PER MIL-T-10727.
- 3 MATERIAL: HOUSING 6/6 NTLON
TERMINAL - 4M BRASS
- 4 FINISH: HOUSING - COLOR, NATURAL
TERMINAL - SEE TABLE

THIS DRAWING IS A CONTROLLED DOCUMENT.

DWN: JR RUTH 6/11/90
CHK: MS FEHER 6/11/90
APVD: -

tyco Electronics Tyco Electronics Corporation Harrisburg, PA 17105-3608

ASSEMBLY, RECEPTACLE, ULTRA-POD, 6.35 [.250] SERIES

PRODUCT SPEC	108-1285	SIZE	A2	CAGE CODE	00779	DRAWING NO	520974	RESTRICTED TO	-
APPLICATION SPEC	114-2124	WEIGHT	-	SCALE	5:1	SHEET	1 of 1	REV	M1

CUSTOMER DRAWING